


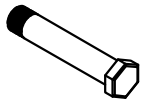

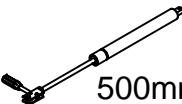
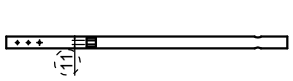

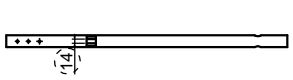

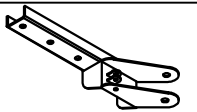

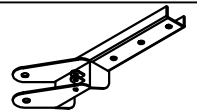

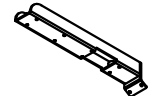



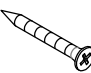


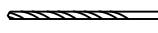


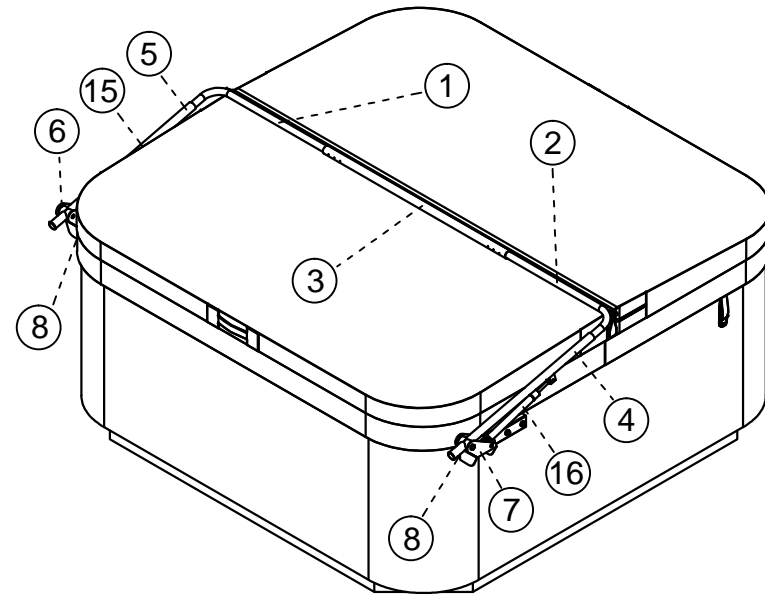
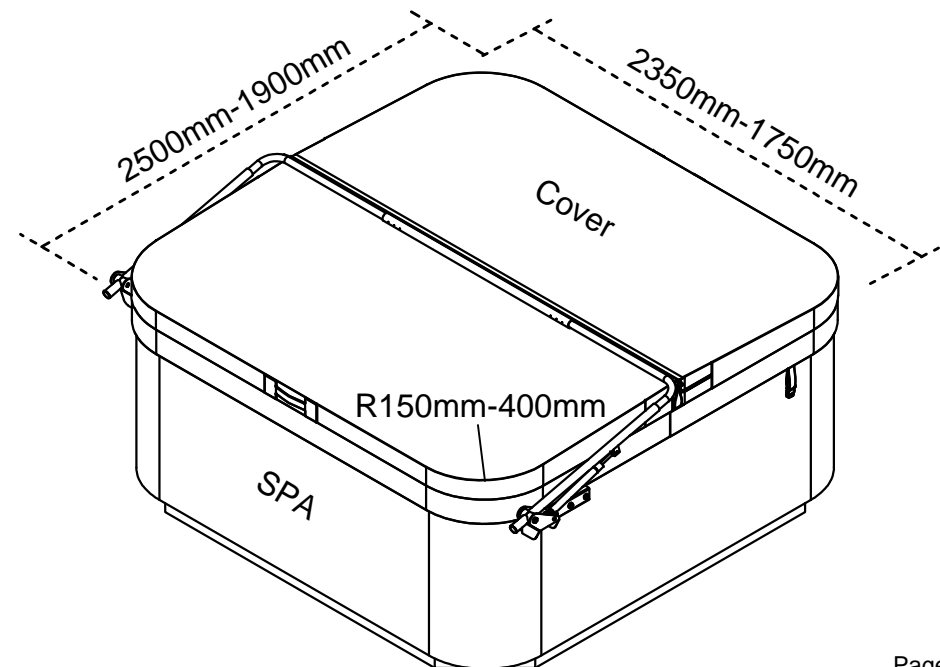


List Of Contents:

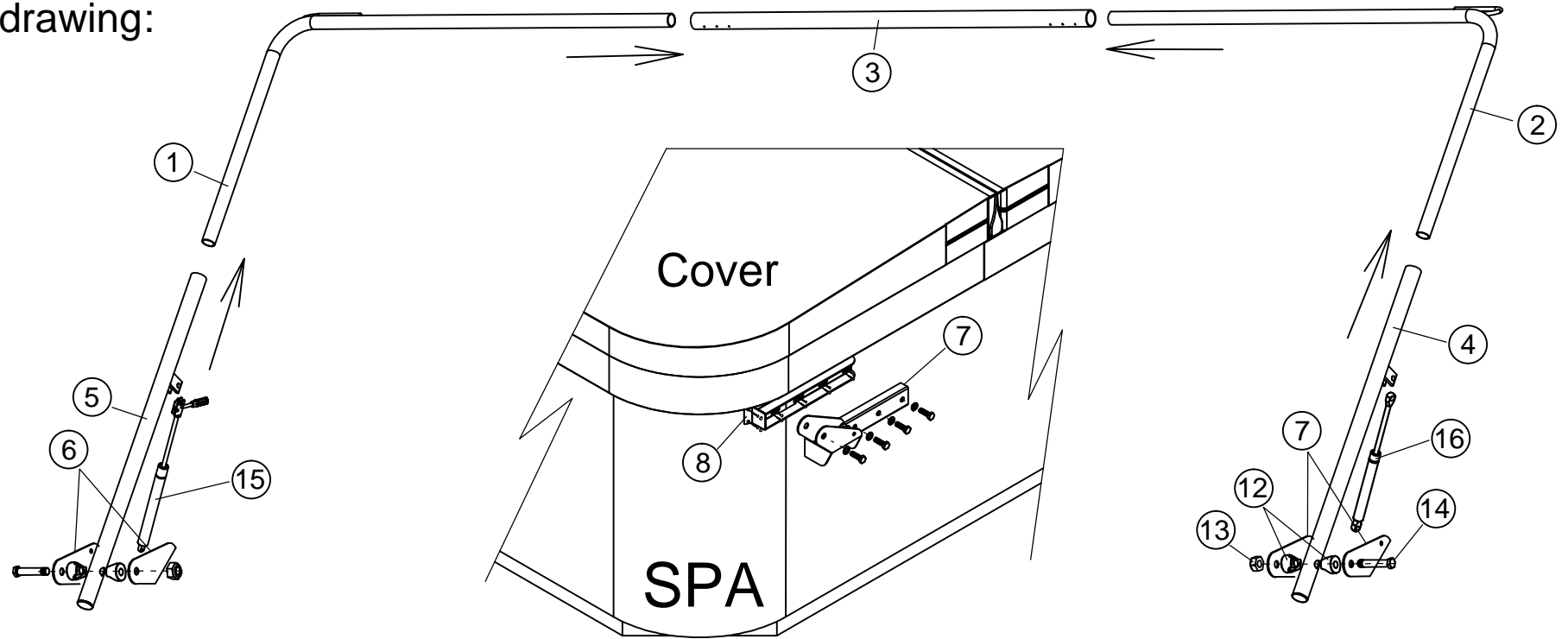
NO	QTY	Shape / name	NO	QTY	Shape / name
①	1	 L	⑬	2	 Ø14
②	1	 R	⑭	2	 14X89
③	1		⑮	1	 500mm/450N
④	1		⑯	1	 500mm/150N
⑤	1		⑰	2	 8X54
⑥	1	 L	⑱	2	 Ø8
⑦	1	 R	⑲	10	 Ø10X42
⑧	2		⑳	2	 Ø10
⑨	18		㉑	8	 φ20
⑩	22	 5X30	㉒	1	
⑪	14	 4X19	㉓	1	 Ø3.2
⑫	4		㉔	1	



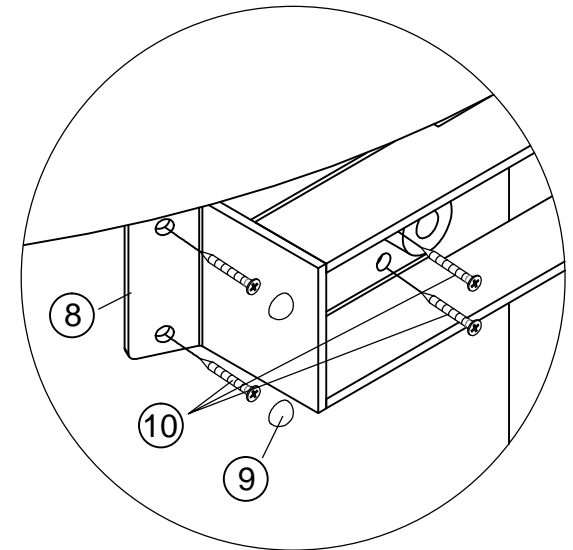
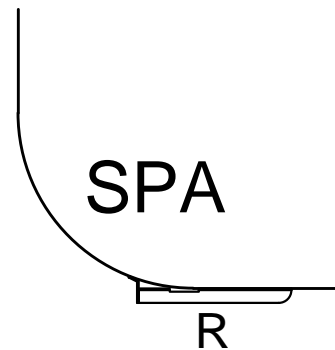
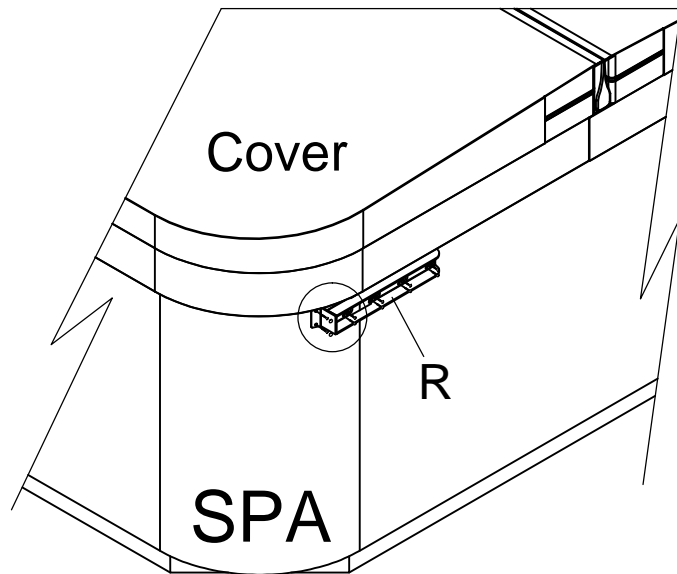
Available dimension:



Assembly drawing:

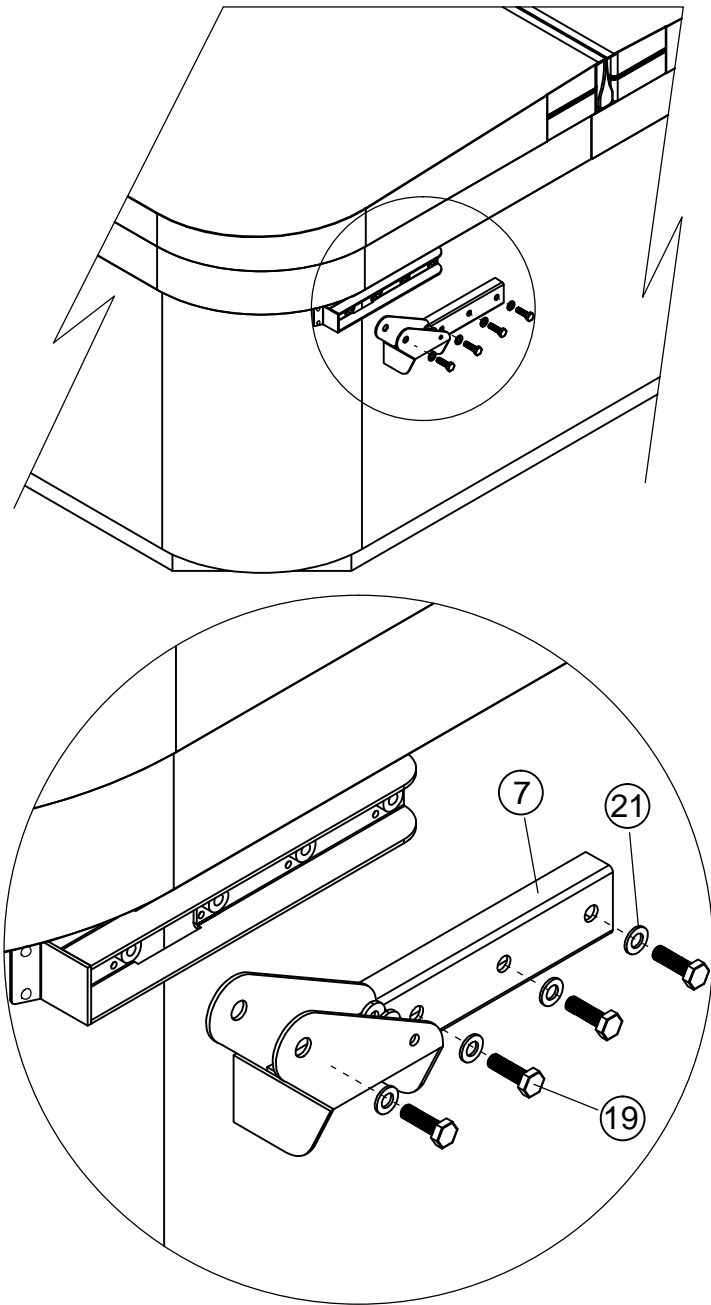


Installation steps One: Arrange the bottom position and lock screws

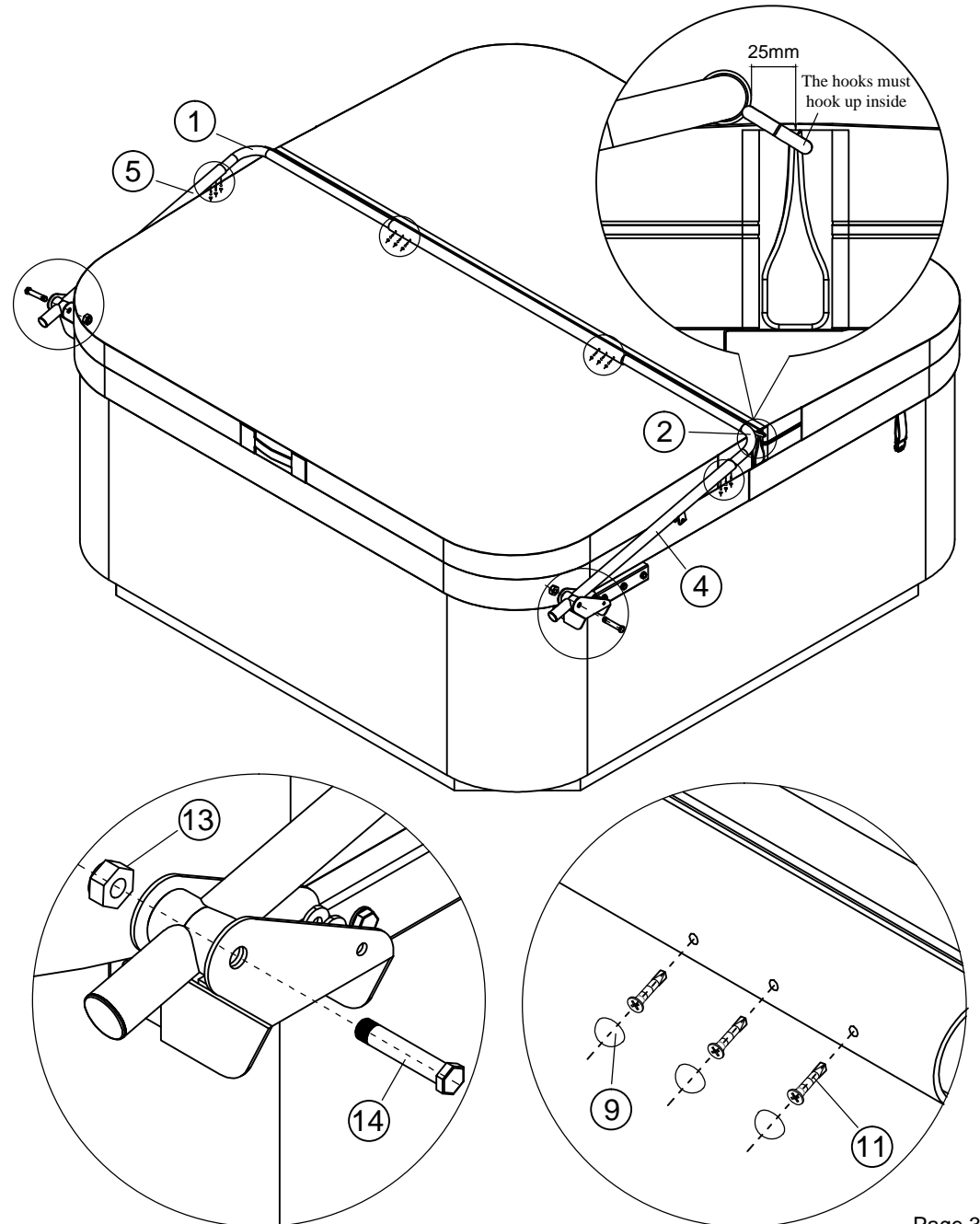


A distinction placed L&R

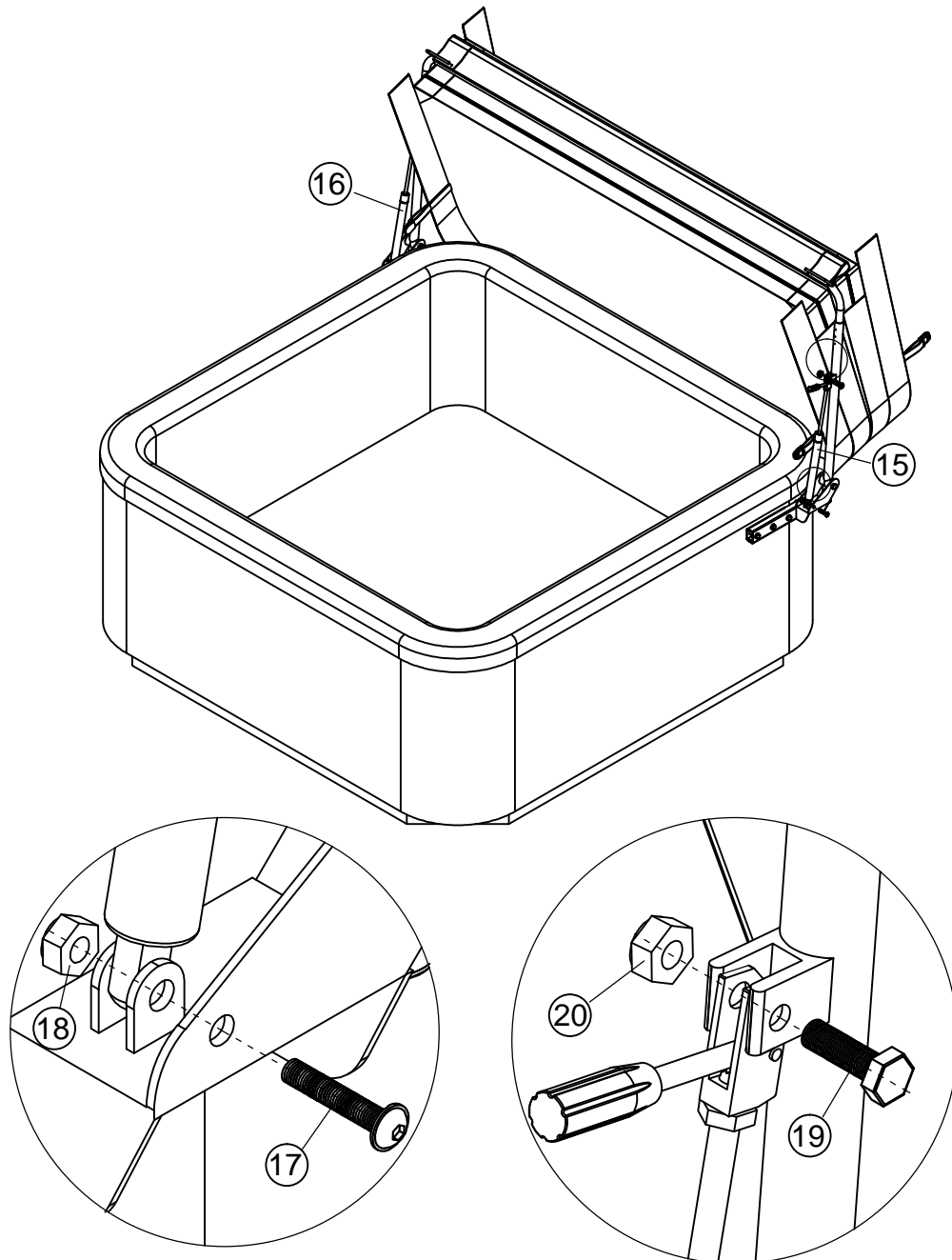
Installation steps two: install the two sides lifter separately



Installation Steps three: install the round tube, and lock with screws



Installation steps four: install the gas rod
attention to distinguish the place of L & R



Operation method: this cover lifter with
Self-locking positioning function. Each time to
operating the spa cover open or closed, must
press the operating lever counterclockwise,
otherwise can't open or closed the spa cover.
(operate as steps 1-2). When the operator
releases the operating lever, the cover will
position at the angle at which the current lock
is opened.

Notice : It is forbidden to forcibly open or close
the SPA cover when the operating lever is not
depressed

