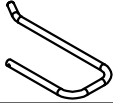
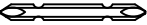
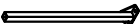



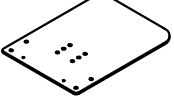


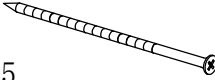
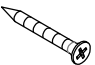

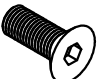


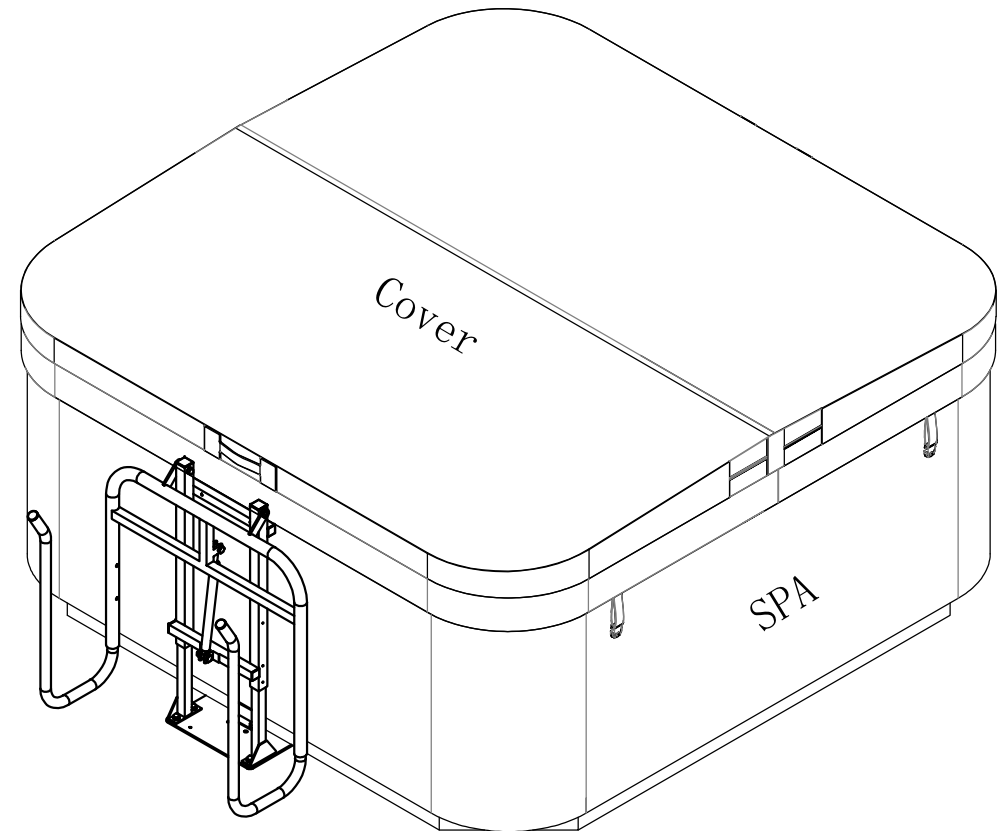
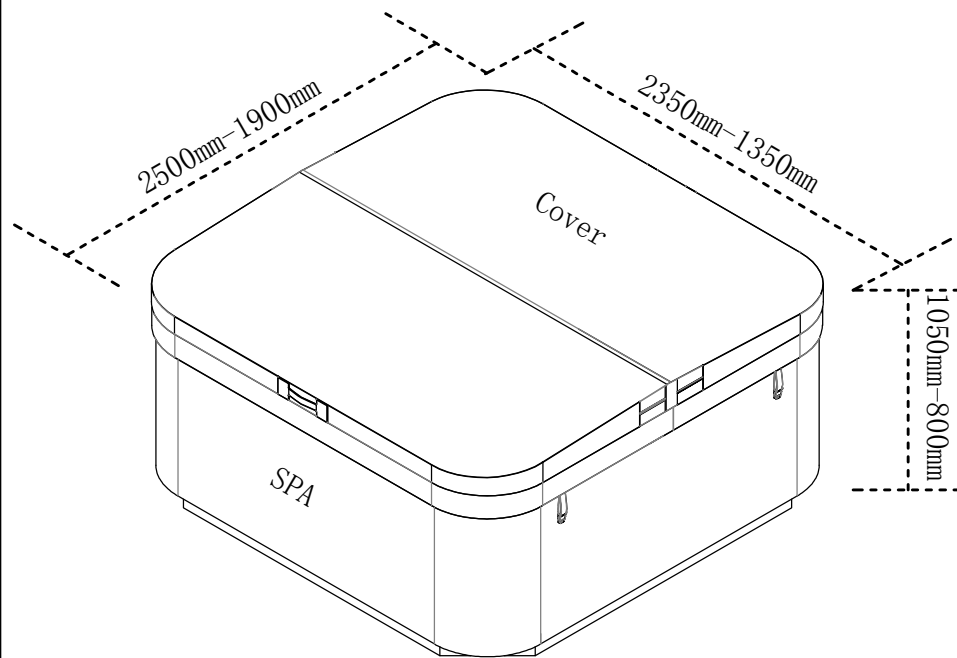


Bill of materials :

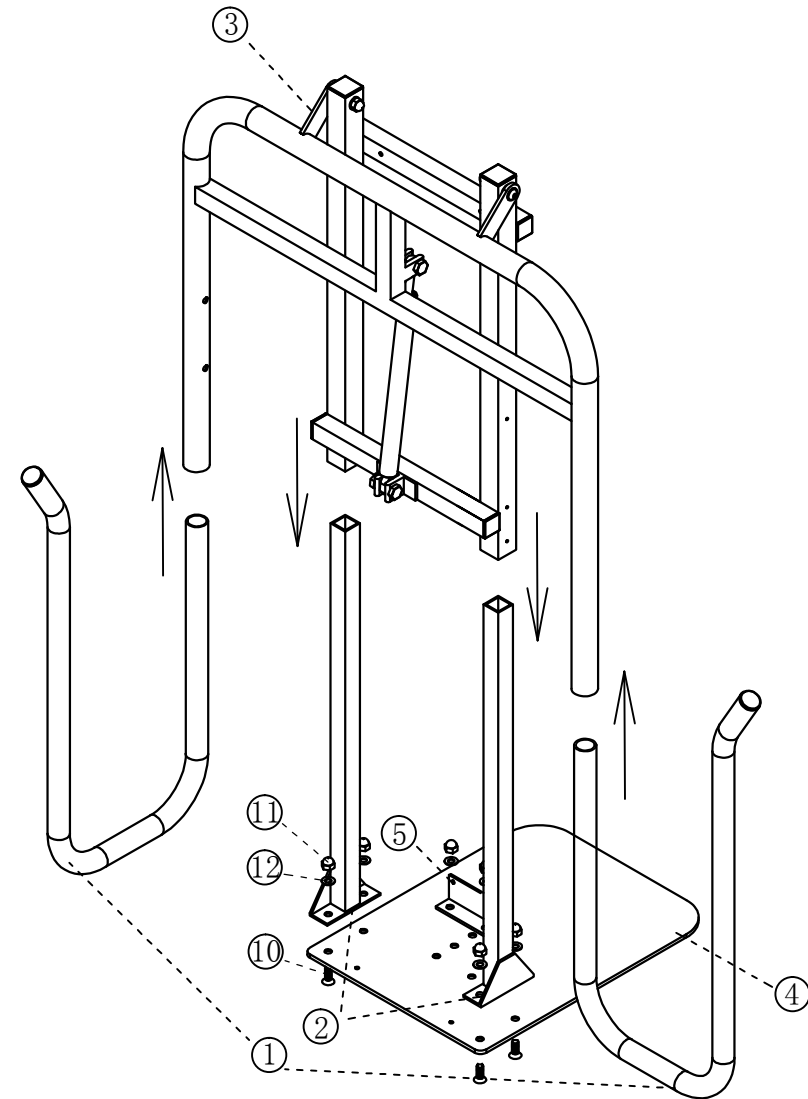
| N0 | QTY | Shape / name | N0 | QTY | Shape / name |
|----|-----|---|----|-----|--|
| ① | 2 |  | ⑬ | 1 |  |
| ② | 2 |  | ⑬ | 1 |  φ3.2 |
| ③ | 1 |  | ⑭ | 1 |  |
| ④ | 1 |  | | | |
| ⑤ | 1 |  | | | |
| ⑥ | 14 |  | | | |
| ⑦ | 2 |  5X55 | | | |
| ⑧ | 6 |  5X30 | | | |
| ⑨ | 8 |  4X19 | | | |
| ⑩ | 6 |  8X20 | | | |
| ⑪ | 6 |  φ8 | | | |
| ⑫ | 6 |  φ20 | | | |



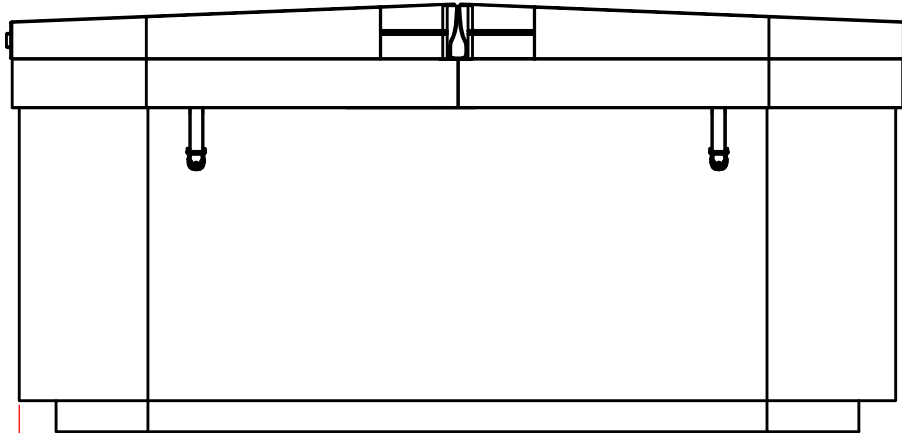
Available dimension :



Assembly drawing :

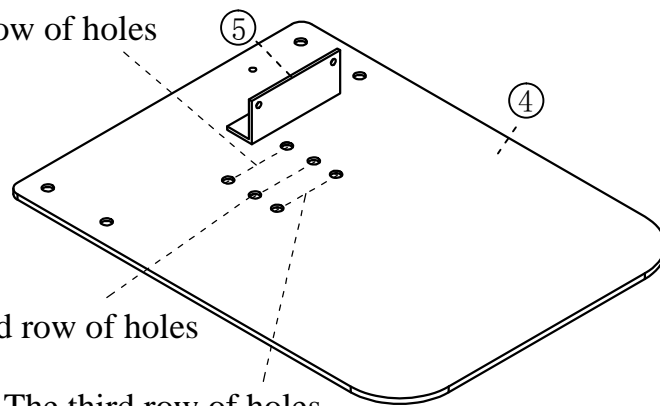


Installation steps One: Install the bottom locating plate



? Measure the distance from the bottom of the spa to the outer skirt, as the installation location reference values of the locating plate

The first row of holes

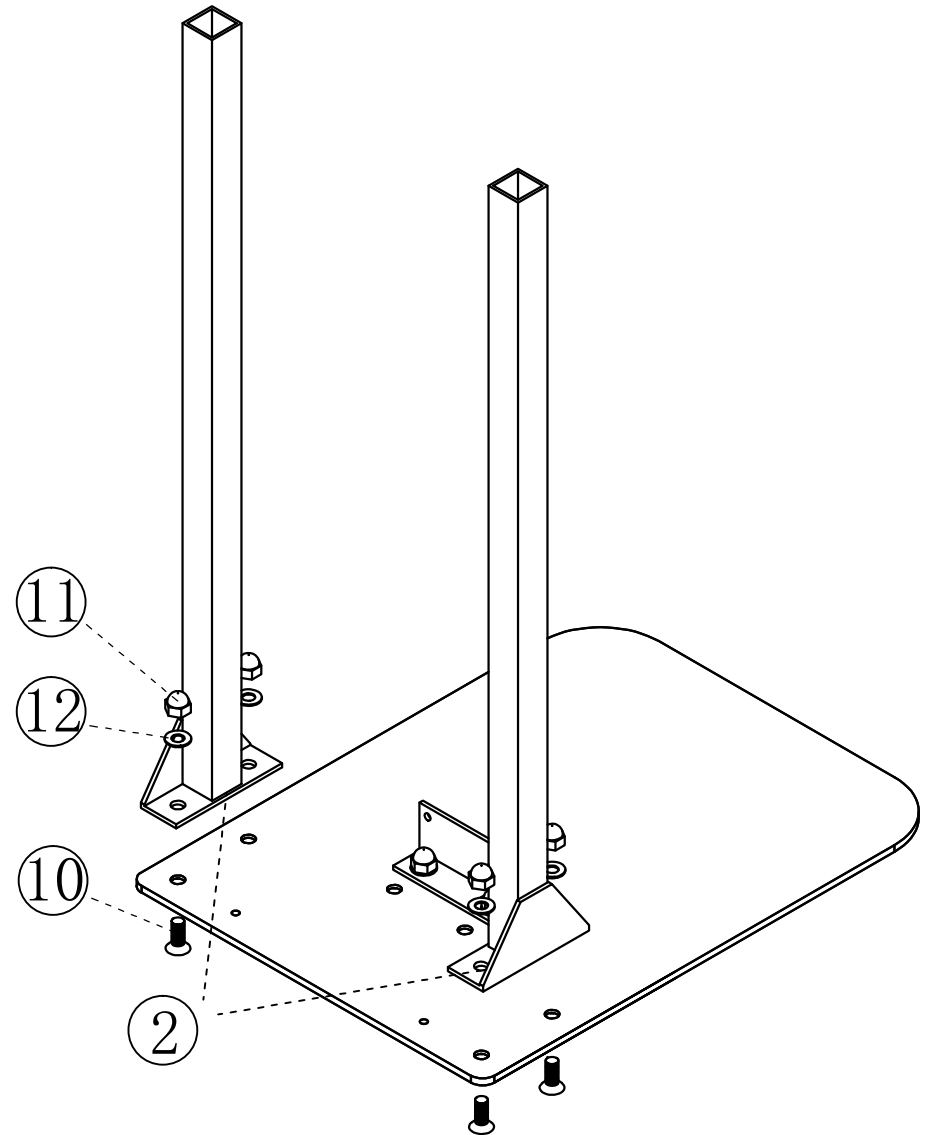


The second row of holes

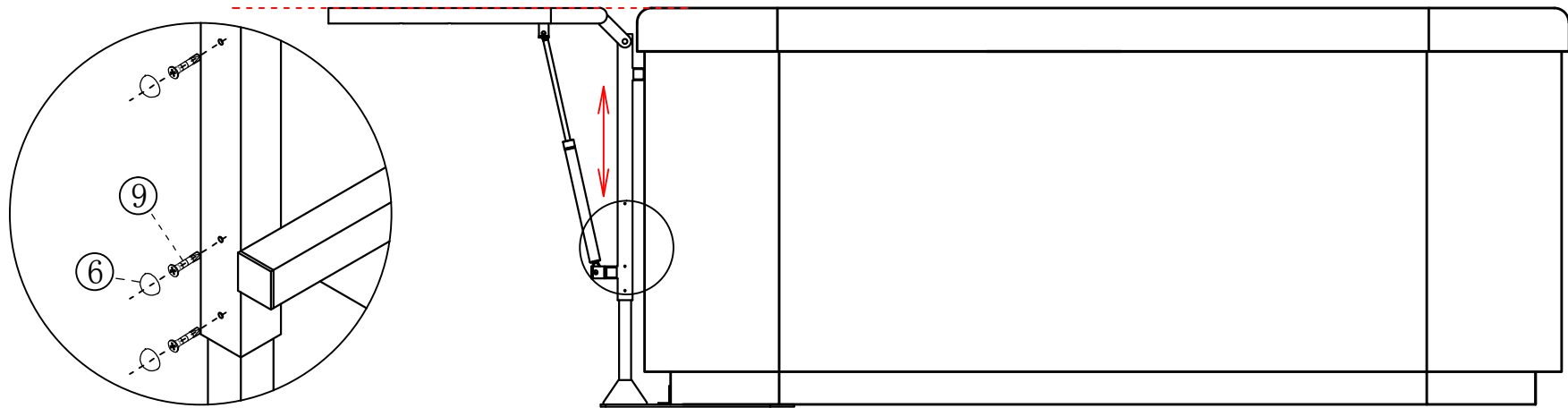
The third row of holes

After installation , the distance from first row of holes to the skirt is 25MM, the second row of holes is 50 MM, and the third one is 75MM.Choose the closest size of your spa to install.

Installation steps Two: Install the stents on both sides respectively

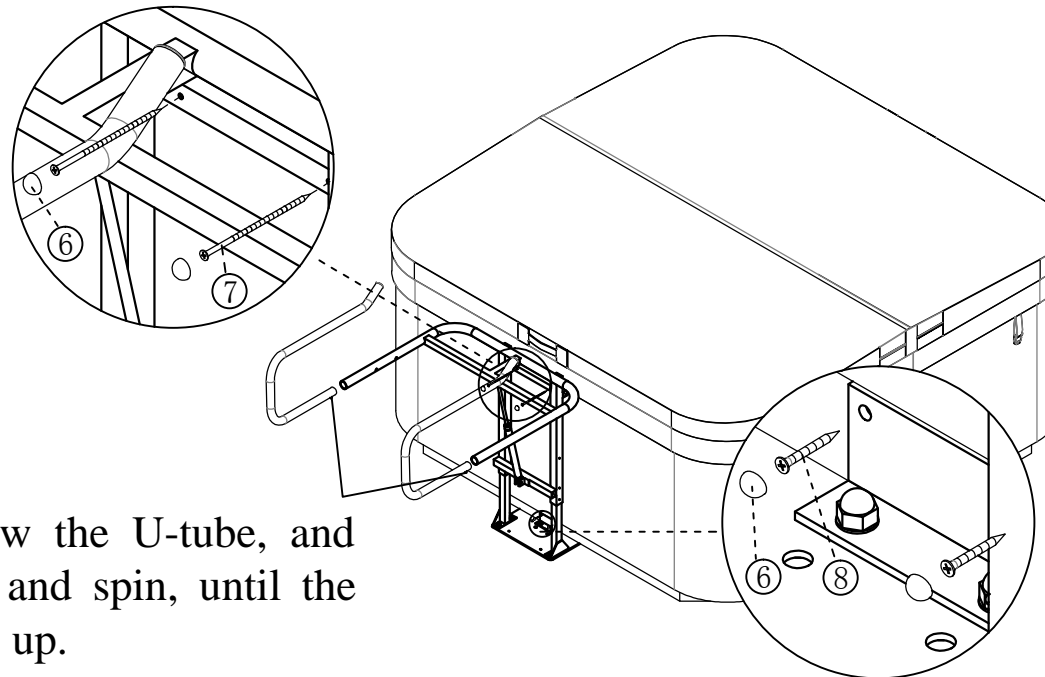


Installation steps three: Install the tipping frame



Inserted the product into the spa bottom, adjust the tipping frame up and down to let the highest position to be unanimous with the one of spa, and locking with the screws.

Installation steps four:
Locking the whole lifter onto
the spa with screws tightly,
and install the U-tube



Press the protruding dots below the U-tube, and push the U-tube into the hole and spin, until the protruding dots in place and pop up.